

## ESCORT TRACTOR TUG “TITO NERI”



### BRIEF DESCRIPTION

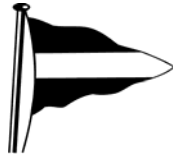
TITO NERI Type Escort TRACTOR tug is specially designed to Escort oil and gas off-loading tankers with two SCHOTTEL azimuth thrusters and deep skeg. Highly manoeuvrable, this tugboat has its drum towing winch located on the main deck aft, thus allowing to switch from towing to pushing within seconds, giving an even higher operational flexibility. Fully equipped for Oil Recovery in addition it offers a fire-fighting 1 (2x 1200 cbm/hr) capability, furthermore is equipped for salvage in open waters. The vessel is fitted with an automation for engine room, according to notation IAQ1, including also the remote control of the propulsion from the wheelhouse (I.E. start/stop of main engines).

#### **Fratelli Neri S.p.A.**

Via Pisa n. 10- 57123 Livorno- ITALY

Ph. +39 0586 234111- Fax +39 0586 892025

[www.nerigroup.net](http://www.nerigroup.net) – e mail: [info@nerigroup.net](mailto:info@nerigroup.net)



## MAIN CHARACTERISTICS

LOA	31.27 meters
Breadth	11.50 meters
Breadth over all	9.90 meters
Max. Draught (extreme)	6.93 meters
GRT-Net T	398-119

## REGISTRATION

Type of Vessel	CP ASD TUG, Salvage, IAQ1, Fi-Fi 1 Tug
Year built	2004
Builder	Rosetti Marino s.p.a.- Ravenna (Italy)
CALL Sign/Rina Nr	IQRH / 81850
Classification	RINA 100A 1.1 Escort Salvage, IAQ1, Fi-Fi 1 Tug , REC OIL Unrestricted service

## PERFORMANCE

Speed	12,5 knots
Direct Bollard Pull	72,16 tons =707,89 KN

## PROPULSION –MACHINERY

Main Engines	2 x MWM Deutz S BV 9 M/628 with a power of 2 x 2050 Kw (2x2788 HP) at 1000 rpm
Gen Sets	3 x IVECO AIFO x 120 Kw 380 V 50 Hz
Harbour Gen Sets	-----
Propulsion Units	2 x Schottel controllable pitch propellers in steerable kort nozzles
Propellers	2 Schottel SRP 1515 CP

## ACCOMODATION

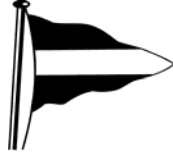
Accomodation	2 cabins for 1 officers with wc, 2 cabins for 1 officers, 2 crew cabins for 4 crews, total 8 persons, mess, galley, stores, WC's and shower
Airconditioning	Fully airconditioned, temperatures as per ISO standards,

## TOWING and SPECIAL EQUIPMENT

Fore Towing winch	Rolls Royce hydraulic towing winch TW 1000/130/AW 26U2H with one declutchable drum, two cable lifters and two warping ends.
Aft Towing Winch	Rolls Royce Type TW 1800/750 H Double drum, waterfuall (reverse) type winch driven by one drive gear. Adjustable autotension mode on Escort drum (upper drum)

### **Fratelli Neri S.p.A.**

Via Pisa n. 10- 57123 Livorno- ITALY  
Ph. +39 0586 234111- Fax +39 0586 892025  
[www.nerigroup.net](http://www.nerigroup.net) – e mail: info@nerigroup.net



Escort (upper drum) meets the requirements of DNV Rules for Classification of Escort Service Tug. (DNV Rules Pt. 5 Ch. 7 Sec. 16)

Hook Mapaeu quick release disc type towing hook SWL 700 kn

#### **TANK CAPACITIES**

Fuel Oil	210.2 mc
Fresh Water	36 mc
Foam	6,8 mc
Lub Oil MMEE	3.2 mc
Waste Oil	3.7 mc
Lub Oil Hydr. system	3.8 mc
Sewage /sludge	2.4 /4.9 mc
Ballast	106 mc

#### **ELECTRONICS**

Communication	GMDSS A3 Sailor and Mini-M, Intercom and SP phone
Navigation equipment	1 radar, 2 GPS, Gyro Compass, Magnetic Compass, Auto Pilot, Echo Sounder, AIS, Speed Log , Gyropilot

#### **LIFE SAVING EQUIPMENT**

	2 x Liferaft for 16 persons, 12 life jackets, 8 life buoys, 2 MOB's, line throwers, immersion suits, thermal suits, escape sets all approved SOLAS
Solas Boat & Crane ILO	Approved boat and crane, crane suitable for deck cargo

#### **FIRE FIGHTING SYSTEM Class FI FI 1**

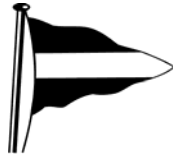
Nr 2 x monitors of 1200 cbm/hr capacity each  
Nr 2 x firefighting pumps of 1350 cbm/hr capacity and 14 bar pressure each  
Fi-Fi 1 capacity with Deluge Spray System, Water & Foam

#### **OTHER**

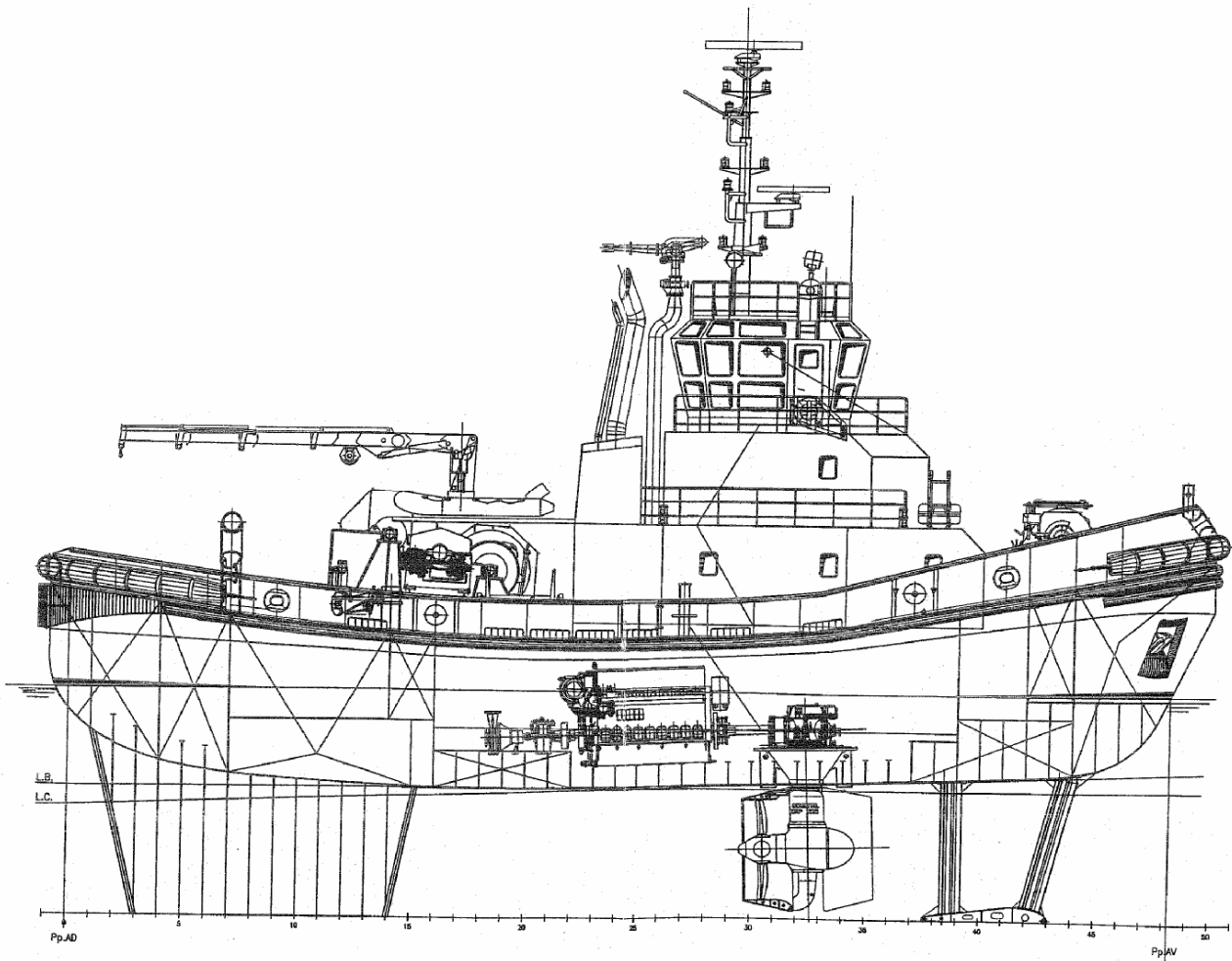
Oil Bilge separator 05cm/h, fuel + Oil separator Sewage treatment – starting Air Compressor

#### **Fratelli Neri S.p.A.**

Via Pisa n. 10- 57123 Livorno- ITALY  
Ph. +39 0586 234111- Fax +39 0586 892025  
[www.nerigroup.net](http://www.nerigroup.net) – e mail: info@nerigroup.net



**Vista Longitudinale esterna:**

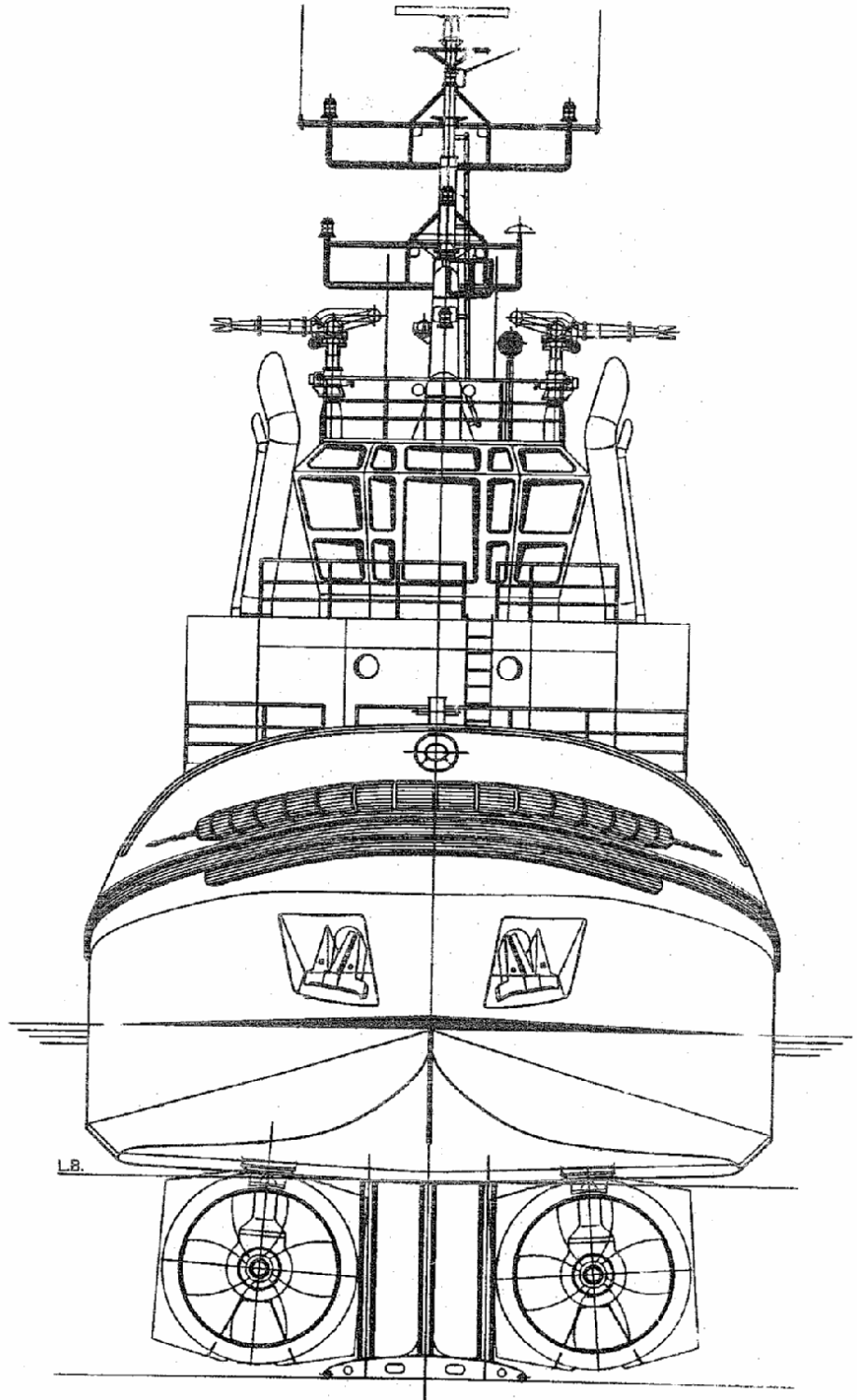
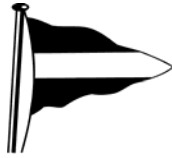


**Fratelli Neri S.p.A.**

Via Pisa n. 10- 57123 Livorno- ITALY

Ph. +39 0586 234111- Fax +39 0586 892025

[www.nerigroup.net](http://www.nerigroup.net) – e mail: [info@nerigroup.net](mailto:info@nerigroup.net)



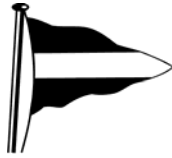
**Vista Frontale Esterna:**

**Fratelli Neri S.p.A.**

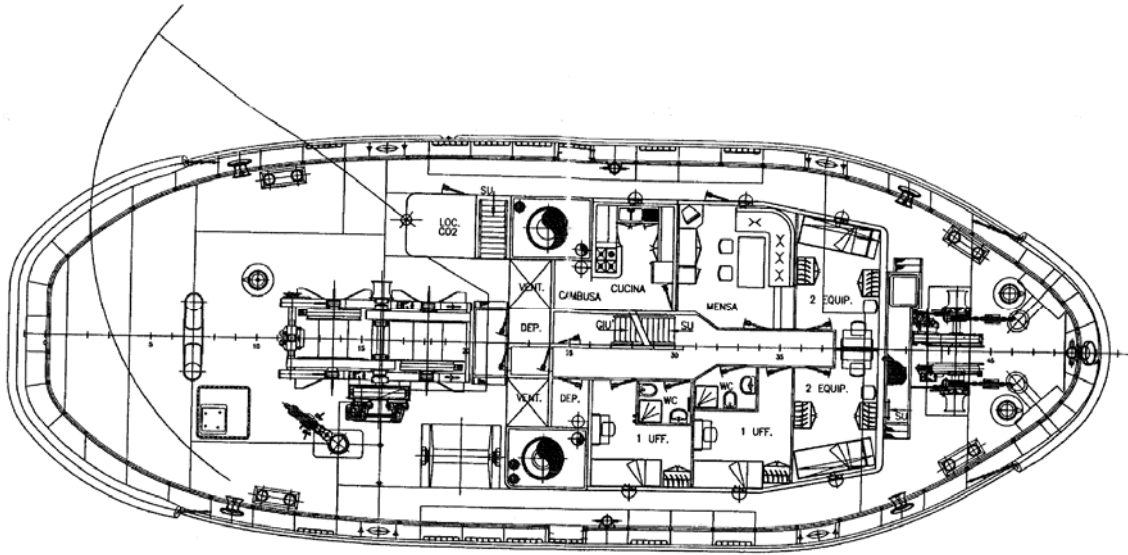
Via Pisa n. 10- 57123 Livorno- ITALY

Ph. +39 0586 234111- Fax +39 0586 892025

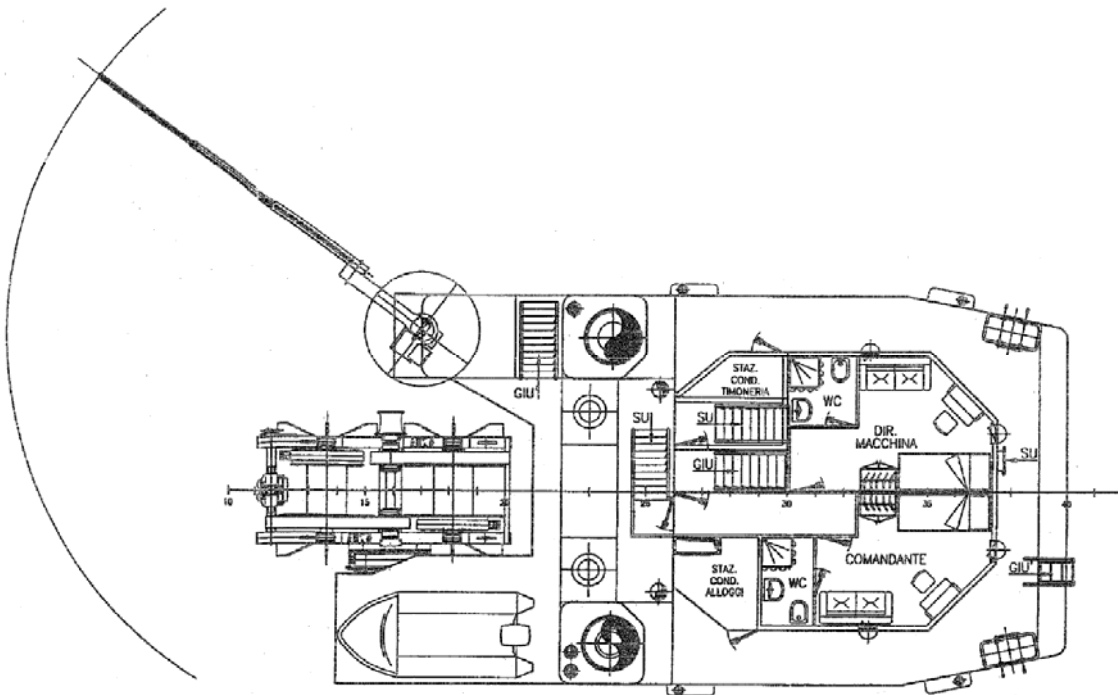
[www.nerigroup.net](http://www.nerigroup.net) – e mail: [info@nerigroup.net](mailto:info@nerigroup.net)



## Vista Ponte di Coperta



## Pianta Ponte di navigazione 1 :



**Fratelli Neri S.p.A.**

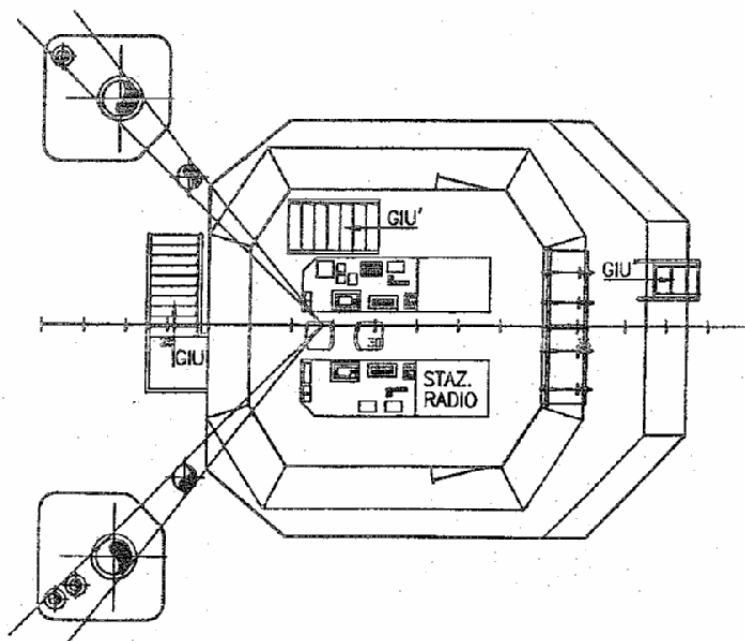
Via Pisa n. 10- 57123 Livorno- ITALY

Ph. +39 0586 234111- Fax +39 0586 892025

[www.nerigroup.net](http://www.nerigroup.net) – e mail: [info@nerigroup.net](mailto:info@nerigroup.net)



## Pianta Ponte di navigazione 2:

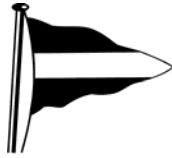


**Fratelli Neri S.p.A.**

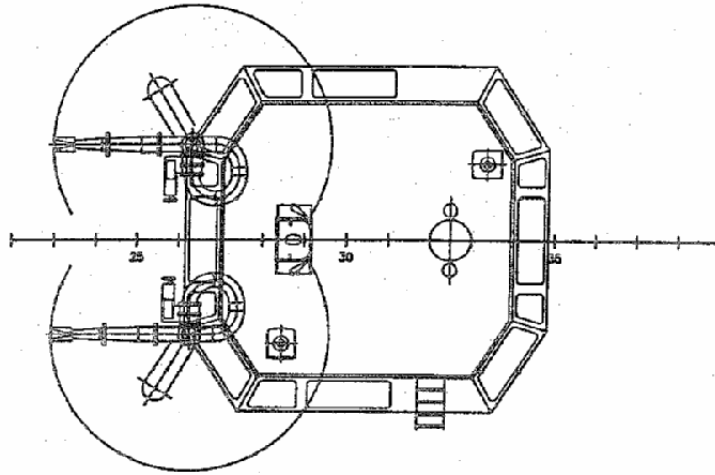
Via Pisa n. 10- 57123 Livorno- ITALY

Ph. +39 0586 234111- Fax +39 0586 892025

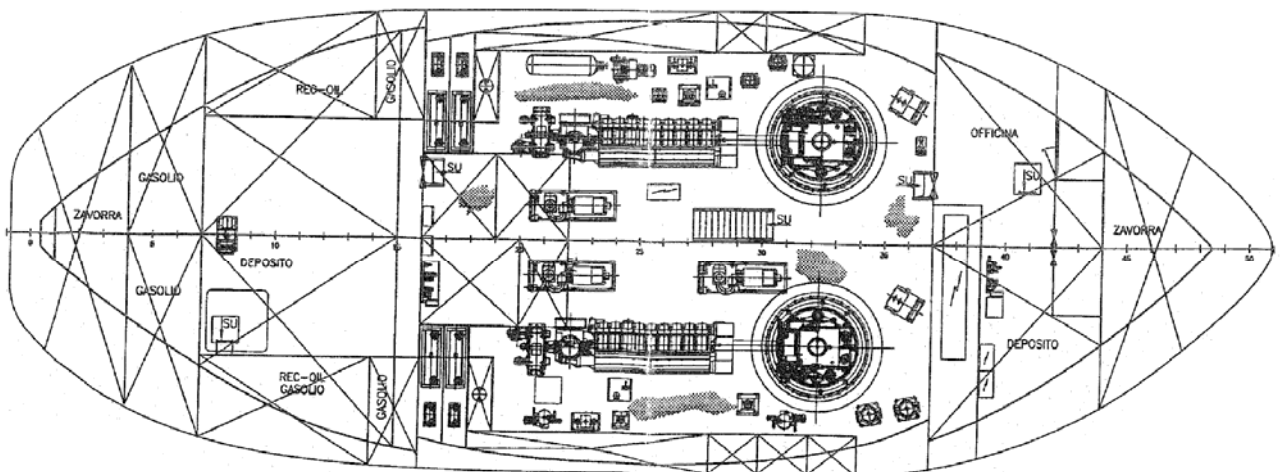
[www.nerigroup.net](http://www.nerigroup.net) – e mail: [info@nerigroup.net](mailto:info@nerigroup.net)



### Pianta Ponte di navigazione 3:



### Pianta Pagliolo:



**Fratelli Neri S.p.A.**

Via Pisa n. 10- 57123 Livorno- ITALY

Ph. +39 0586 234111- Fax +39 0586 892025

[www.nerigroup.net](http://www.nerigroup.net) – e mail: info@nerigroup.net